

INTERNATIONAL STANDARD

ISO 11565

Second edition
2006-12-15

Road vehicles — Spark-plugs — Test methods and requirements

Véhicules routiers — Bougies d'allumage — Méthodes d'essai et exigences



Reference number
ISO 11565:2006(E)

© ISO 2006

PDF disclaimer

This PDF file may contain embedded typefaces. In accordance with Adobe's licensing policy, this file may be printed or viewed but shall not be edited unless the typefaces which are embedded are licensed to and installed on the computer performing the editing. In downloading this file, parties accept therein the responsibility of not infringing Adobe's licensing policy. The ISO Central Secretariat accepts no liability in this area.

Adobe is a trademark of Adobe Systems Incorporated.

Details of the software products used to create this PDF file can be found in the General Info relative to the file; the PDF-creation parameters were optimized for printing. Every care has been taken to ensure that the file is suitable for use by ISO member bodies. In the unlikely event that a problem relating to it is found, please inform the Central Secretariat at the address given below.

© ISO 2006

All rights reserved. Unless otherwise specified, no part of this publication may be reproduced or utilized in any form or by any means, electronic or mechanical, including photocopying and microfilm, without permission in writing from either ISO at the address below or ISO's member body in the country of the requester.

ISO copyright office
Case postale 56 • CH-1211 Geneva 20
Tel. + 41 22 749 01 11
Fax + 41 22 749 09 47
E-mail copyright@iso.org
Web www.iso.org

Published in Switzerland

Contents

Page

Foreword.....	iv
1 Scope	1
2 Normative references	1
3 Test methods and requirements	2
3.1 General.....	2
3.2 General characteristics	2
3.3 Dimensions.....	3
3.4 Mechanical performance.....	3
3.5 Gas tightness	4
3.6 Thermal shock, thermal resistance.....	5
3.7 Electrical performance	7
3.8 Loading life of the incorporated resistor	9
3.9 Thermal stability of the incorporated resistor	9
Annex A (informative) Wiring diagram of a test bench for the loading life of an incorporated resistor	10

Foreword

ISO (the International Organization for Standardization) is a worldwide federation of national standards bodies (ISO member bodies). The work of preparing International Standards is normally carried out through ISO technical committees. Each member body interested in a subject for which a technical committee has been established has the right to be represented on that committee. International organizations, governmental and non-governmental, in liaison with ISO, also take part in the work. ISO collaborates closely with the International Electrotechnical Commission (IEC) on all matters of electrotechnical standardization.

International Standards are drafted in accordance with the rules given in the ISO/IEC Directives, Part 2.

The main task of technical committees is to prepare International Standards. Draft International Standards adopted by the technical committees are circulated to the member bodies for voting. Publication as an International Standard requires approval by at least 75 % of the member bodies casting a vote.

Attention is drawn to the possibility that some of the elements of this document may be the subject of patent rights. ISO shall not be held responsible for identifying any or all such patent rights.

ISO 11565 was prepared by Technical Committee ISO/TC 22, *Road vehicles*, Subcommittee SC 1, *Ignition equipment*.

This second edition cancels and replaces the first edition (ISO 11565:1998), which has been technically revised.

Road vehicles — Spark-plugs — Test methods and requirements

1 Scope

This International Standard specifies the test methods and requirements for the mechanical and electrical performance of spark-plugs for use with spark ignition engines.

2 Normative references

The following referenced documents are indispensable for the application of this document. For dated references, only the edition cited applies. For undated references, the latest edition of the referenced document (including any amendments) applies.

ISO 1919, *Road vehicles — M14 × 1,25 spark-plugs with flat seating and their cylinder head housings*

ISO 2344, *Road vehicles — M14 × 1,25 spark-plugs with conical seating and their cylinder head housings*

ISO 2345, *Road vehicles — M18 × 1,5 spark-plugs with conical seating and their cylinder head housing*

ISO 2346, *Road vehicles — M14 × 1,25 compact spark-plugs with flat seating and 19 mm hexagon and their cylinder head housing*

ISO 2347, *Road vehicles — M14 × 1,25 compact spark-plugs with conical seating and their cylinder head housing*

ISO 2704, *Road vehicles — M10 × 1 spark-plugs with flat seating and their cylinder head housings*

ISO 2705, *Road vehicles — M12 × 1,25 spark-plugs with flat seating and their cylinder head housings*

ISO 6789, *Assembly tools for screws and nuts — Hand torque tools — Requirements and test methods for design conformance testing, quality conformance testing and recalibration procedure*

ISO 8470, *Road vehicles — M14 × 1,25 spark-plugs with flat seating and 16 mm hexagon and their cylinder head housings*

ISO 16246, *Road vehicles — M12 × 1,25 spark-plugs with flat seating and 14 mm hexagon and their cylinder head housing*

ISO 19812, *Road vehicles — M10 × 1 compact spark-plugs with flat seating and 16 mm hexagon and their cylinder head housings*

ISO 22977, *Road vehicles — M12 × 1,25 spark-plugs with flat seating and 14 mm bi-hexagon and their cylinder head housing*

IEC 60051-1, *Direct acting indicating analogue electrical measuring instruments and their accessories — Part 1: Definitions and general requirements common to all parts*

IEC 60068-2-6, *Environmental testing — Part 2: Tests — Test Fc: Vibration (sinusoidal)*

3 Test methods and requirements

3.1 General

The tests shall be carried out at an ambient temperature of $(23 \pm 5) ^\circ\text{C}$ and a relative humidity of $(65 \pm 20) \%$ unless otherwise specified.

For each test sample in Table 1, the test sequence is indicated by an X from top to bottom.

Each test sequence shall be started with unused samples.

Table 1 — Test sequences

Characteristic to be checked	In accordance with subclause	Test sample						
		A	B	C	D	E	F	G
General characteristics (visual examination)	3.2	X	X	X	X	X	X	X
Dimensions	3.3	X	X	X	X	X	X	X
Resistance of incorporated element for RF suppression	3.7.1	X						X
Loading life of the incorporated resistor	3.8	X	—					
Mechanical strength of the shell	3.4.1	X		—				
Tear-off resistance of the high-voltage terminal	3.4.2		X					
Bending resistance	3.4.3			X				
Gas tightness	3.5				X	—		
Withstand voltage of the insulator	3.7.2				X			
Vibration	3.4.4				X			—
Gas tightness	3.5				X			
Withstand voltage of the insulator	3.7.2	—	—	—	X			
Thermal shock, thermal resistance	3.6					X		
Insulation resistance at ambient temperature	3.7.3						X	
Insulation resistance at high temperature	3.7.4				—	—	X	
Thermal stability of incorporated resistor	3.9							X
General characteristics (visual examination)	3.2		X	X	X		X	X

3.2 General characteristics

3.2.1 Test method

Check the following characteristics specified in 3.2.2 by visual examination. Carry out the visual examination with the naked eye, at normal strength of vision and normal colour perception, at the most favourable viewing distance, and with suitable illumination.

Visual examination shall allow identification, appearance, workmanship and finish of the item to be checked against the relevant specification.

3.2.2 Requirements

3.2.2.1 The **external gasket**, if any, shall be in accordance with the International Standard for the relevant spark-plug.

3.2.2.2 The **scavenging area** shall be clean and without any foreign body.

3.2.2.3 The **electrodes** shall be fixed in position.

3.2.2.4 The **shell** shall be properly fixed to the insulator. No visible sign of corrosion is allowed. The thread shall be free from burrs or damage.

3.2.2.5 The **insulator** shall be smooth and uniform without abnormal appearance. The insulator shall not show chips, cracks or signs of shock damage.

3.2.2.6 The **marking** shall be in accordance with the manufacturer's specification.

3.3 Dimensions

3.3.1 Test method

The dimensions shall be checked in accordance with the relevant International Standard, using random samples.

3.3.2 Requirement

All dimensions shall conform to the relevant spark-plug International Standard.

3.4 Mechanical performance

3.4.1 Mechanical strength of the shell

3.4.1.1 Test fixture

The test fixture shall have the thread and the seat according to the relevant spark-plug International Standard and have a surface finish of $1,6 \mu\text{m}$ ($Ra = 1,6$).

3.4.1.2 Test method

Install the fully assembled spark-plug on the test fixture specified in 3.4.1.1 and tighten it with a torque wrench, or a corresponding device, until the shell breaks.

3.4.1.3 Requirements

The measured torque shall not be less than:

- 60 Nm for M14 flat seat spark-plugs and for M18 conical seat spark-plugs;
- 40 Nm for M14 conical seat spark-plugs;
- 35 Nm for M12 spark-plugs;
- 25 Nm for M10 spark-plugs.

3.4.2 Tear-off resistance of the high-voltage terminal

3.4.2.1 Test method

The test shall be non-destructive.

Mount the spark-plug on a tensile strength test bench using a suitable device. Apply a force linearly increasing from 0 N to (400 ± 10) N with a rate of less than 500 N/s to the high-voltage terminal in the axial direction.

3.4.2.2 Requirement

After the test, the spark-plug shall be intact.

3.4.3 Bending resistance

3.4.3.1 Test method

Mount the spark-plug on a suitable test block at the maximum installation torque specified in the relevant International Standard. Apply a force perpendicular to the insulator axis and within 5 mm of the insulator's end. The moment arm shall be defined as referenced from the seating surface (gauging point for conical seating) of the spark-plug in the cylinder head. The test shall be non-destructive. The touch down velocity of the force applied shall be less than 10 mm/min to avoid impact damage.

3.4.3.2 Requirement

The spark-plug shall withstand to a bending moment of 15 Nm.

3.4.4 Resistance to vibration

3.4.4.1 Test method

Subject the spark-plug, mounted and tightened as specified, to a vibration test F_c in accordance with IEC 60068-2-6:

- frequency range: 50 Hz to 500 Hz, sinusoidal;
- sweep rate: 1 octave/min;
- acceleration: 30 g (294 m/s²);
- vibration directions: spark-plug axis and perpendicular;
- duration: 8 h in each direction.

3.4.4.2 Requirement

After this test the spark-plug shall show no abnormalities and shall fulfil all subsequent tests listed in Table 1.

3.5 Gas tightness

3.5.1 Test method

Mount the spark-plug on a test device which represents the configuration given for mounting the spark-plug to the cylinder head and tighten it with an installation torque which shall be adapted depending on the friction factor between the test fixture material and the spark-plug as specified in Table 2.

The material of the test fixture shall be agreed between the spark-plug manufacturer and the engine manufacturer.

If the test fixture seat is not of alloy, it shall have a hardness of HRC 20 or greater. The surface roughness across the seating surface shall be Ra max. $0,2 \mu\text{m}$. To cover wear of the seating surface during several tests, the spark-plug manufacturer shall test with a seating surface of Ra max. $1,6 \mu\text{m}$. All threads shall be free of lubricants.

Table 2 — Installation torque

Seating	Thread	Installation torque in the test fixture (Tool adjustment value ^a)		
		Nm		
		Alloy	Hardened copper alloy	Hardened steel
Flat	M10 × 1	15	18	20
	M12 × 1,25	25	30	35
	M14 × 1,25	30	35	45
	M14 × 1,25 compact	20	25	35
Conical	M14 × 1,25	20	20	35
	M18 × 1,25	23	23	45

^a Tool calibrated according to ISO 6789.

Ensure the spark-plug temperature, measured close to the seat as shown in Figure 1, has reached $(200 \pm 10) ^\circ\text{C}$. Apply a pressure of $(2 \pm 0,2) \text{ MPa}$ [$(20 \pm 2) \text{ bar}$] (air, nitrogen, carbon dioxide or any other detection gas) to the spark-plug face for a duration of 5 minutes and determine the leakage rate between:

- shell and test fixture seat;
- shell and insulator;
- insulator and high-voltage terminal.

3.5.2 Requirement

The measured total leakage rate shall not exceed $2 \text{ cm}^3/\text{min}$. If air or nitrogen are not used, convert the leakage rate to that of air using the specific volume of the detection gas.

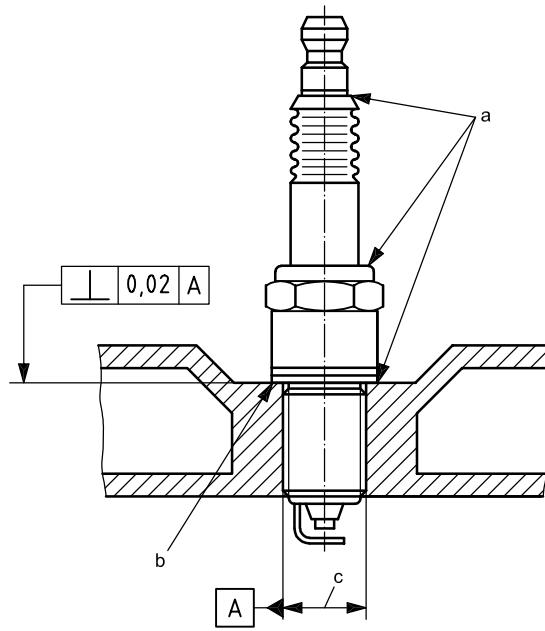
3.6 Thermal shock, thermal resistance

3.6.1 Test method

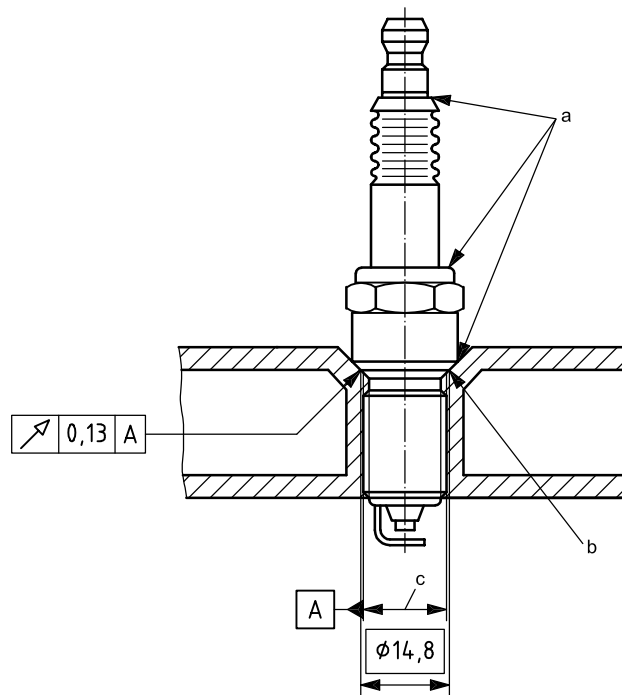
Cut off the shell to expose the insulator nose without damaging the insulator nose. Immerse the insulator nose for a duration of 30 s in a soldering bath with a temperature of $(500^{+50}_{-20}) ^\circ\text{C}$ to a depth of not less than 3 mm.

Following immersion, allow the insulator to cool to ambient temperature without forced cooling.

The use of a flaw-detecting penetrating dye is recommended for visual examination. The same method shall be used for examination before and after the test.



a) Flat seating



b) Conical seating

Key

- a Limited leakage possible.
- b Temperature of (200 ± 10) °C in this area.
- c Pitch diameter.

Figure 1 — Leakage

3.6.2 Requirement

There shall be no ruptures, cracks or deformations.

3.7 Electrical performance

3.7.1 Resistance of the incorporated element for RF suppression

3.7.1.1 Test method

Apply a pulsed voltage of 1 kV to 5 kV between the centre electrode and the terminal of the resistor plug.

For those plugs whose resistors are not voltage sensitive, a d.c. voltage of up to 12 V may be used.

3.7.1.2 Requirement

The resistance of suppression spark-plugs shall be as agreed between the spark-plug manufacturer and the engine manufacturer.

NOTE Typical resistance values are in the range 1 k Ω to 20 k Ω .

3.7.2 Withstand voltage of the insulator

3.7.2.1 Test method

Mount the spark-plug on a suitable pressure chamber and tighten it with the torque specified in the relevant International Standard. Apply pressure (air, nitrogen or carbon dioxide) in the pressure chamber to the firing end of the spark-plug to ensure that no spark occurs between the electrodes during this test.

Apply ignition voltage pulses, with a frequency of (50 to 60) Hz, and with the voltage rising at a rate of $> 600 \text{ V}/\mu\text{s}$, up to a peak value as given in Table 3, between the shell and high-voltage terminal of the spark-plug.

A spark-plug boot may be used to avoid surface flash-over. The ground electrodes may be eliminated or the firing tip of the insulator may be covered with a tube if the flashover cannot be avoided.

Table 3 — Test voltages

Test voltage (peak value) kV	Spark-plug in accordance with
14	ISO 2346
	ISO 2347
	ISO 19812
20	ISO 2704
25	ISO 1919
	ISO 2344
	ISO 2345
	ISO 2705
	ISO 8470
	ISO 16246
	ISO 22977

NOTE Test voltages should be agreed between the spark-plug manufacturer and engine manufacturer when higher performance is required.

3.7.2.2 Requirement

No breakdown shall occur.

3.7.3 Insulation resistance at ambient temperature

3.7.3.1 Test method

Measure the insulation resistance between the centre electrode of the plug and the grounded part using an insulation tester with an accuracy according to IEC 60051-1.

3.7.3.2 Requirement

The insulation resistance shall be 100 MΩ or higher.

3.7.4 Insulation resistance at high temperature

3.7.4.1 Test method

Install the test spark-plug onto a metallic fixture to which one lead of an insulation tester is attached. Attach the second lead of the insulation tester (mechanical or welded) to the centre electrode of the test spark-plug. Insert the entire assembly into a heatable test chamber. Pass the insulation tester leads through the door of the test chamber using a high temperature insulating material and attach them to the insulation tester. Heat the chamber to 400 °C and record the insulation resistance after 30 min at this temperature.

3.7.4.2 Requirement

The insulation resistance at high temperature shall be 10 MΩ or higher.

3.8 Loading life of the incorporated resistor

3.8.1 Test method

Measure the resistance of the resistor plugs in accordance with 3.7.1, then subject them to $1,3 \times 10^7$ sparks of the following parameters:

- average required spark voltage: 20 kV;
- spark energy: 16 mJ;
- spark rate: 50 Hz or 60 Hz;
- ignition coil output voltage: 35 kV.

Then measure the resistance again and compare the result with the values before testing.

NOTE The wiring diagram of a test bench is shown as an example in Annex A.

3.8.2 Requirement

The resistance shall be as agreed between the spark-plug manufacturer and the engine manufacturer.

3.9 Thermal stability of the incorporated resistor

3.9.1 Test method

Measure the resistance of the resistor plugs in accordance with 3.7.1 at room temperature. Store the spark-plug in a hot air oven at 150 °C for 2 h and measure the resistance at the end of this period. Then store the spark-plug at room temperature and measure the resistance again after it has reached room temperature.

Store the spark-plug in a hot air oven at 300 °C for 20 min, then at room temperature and measure the resistance after the spark-plug has reached room temperature again.

Examine the changes of the respective resistance values.

3.9.2 Requirement

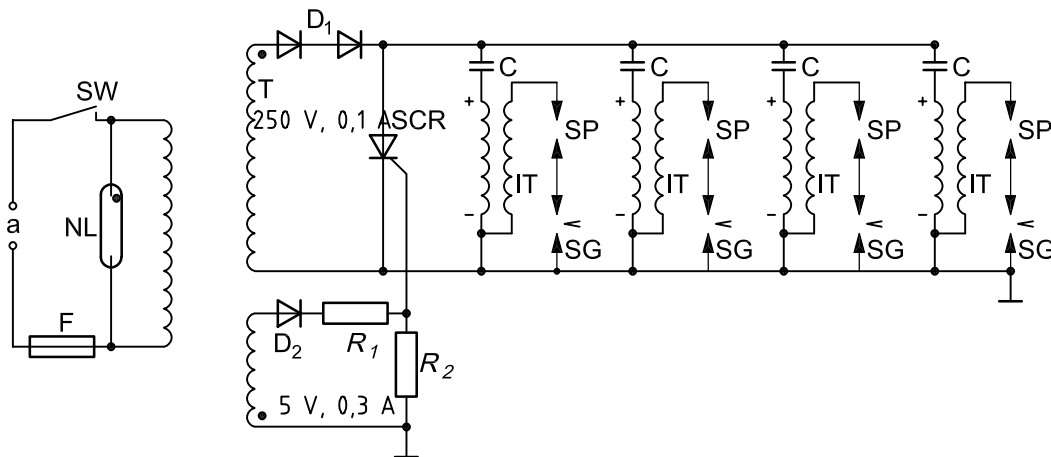
The resistance shall be as agreed between the spark-plug manufacturer and the engine manufacturer.

NOTE Typical resistance values are in the range of 1 k Ω to 20 k Ω .

Annex A (informative)

Wiring diagram of a test bench for the loading life of an incorporated resistor

Figures A.1 and A.2 show, as an example, the wiring diagram of a test bench for the loading life of an incorporated resistor.



Key

- | | | | |
|-------|-------------------------------|-------|--|
| a | a.c. supply | R_1 | resistor 800 Ω to 1 200 Ω , 0,25 W |
| C | capacitor 0,47 μ F, 600 V | R_2 | resistor 1 k Ω to 1,5 k Ω , 0,25 W |
| D_1 | diode 1 200 V, 1 A | SCR | thyristor 600 V, 5 A |
| D_2 | diode 100 V, 1 A | SG | spark-gap (see Figure A.2) |
| F | fuse | SP | spark-plug |
| IT | ignition coil | SW | power switch |
| NL | neon lamp | T | transformer |

Figure A.1 — Connection diagram for a loading life test of an incorporated resistor

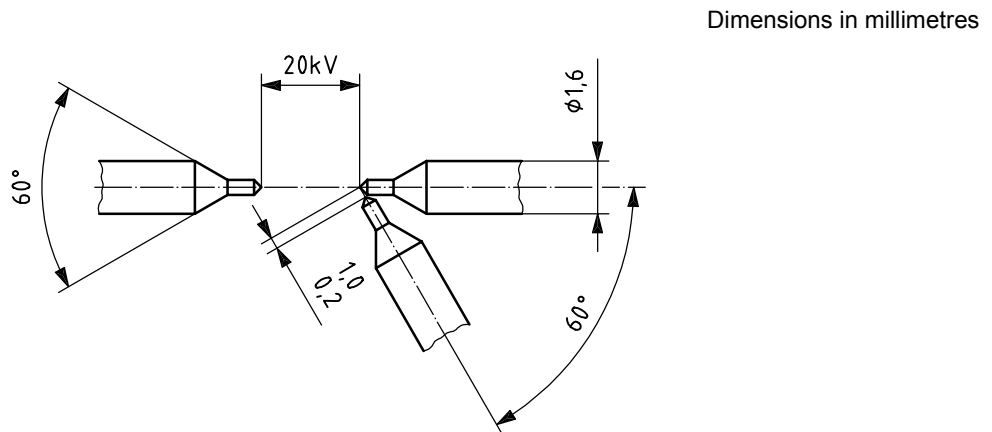


Figure A.2 — Spark-gap

© ISO 2006. All rights reserved.

ICS 43.060.50

Price based on 10 pages